



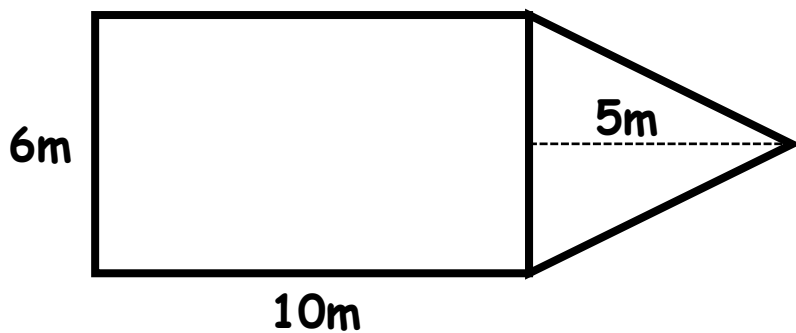
Name: _____

Area

Grade 6 Area Worksheet 3

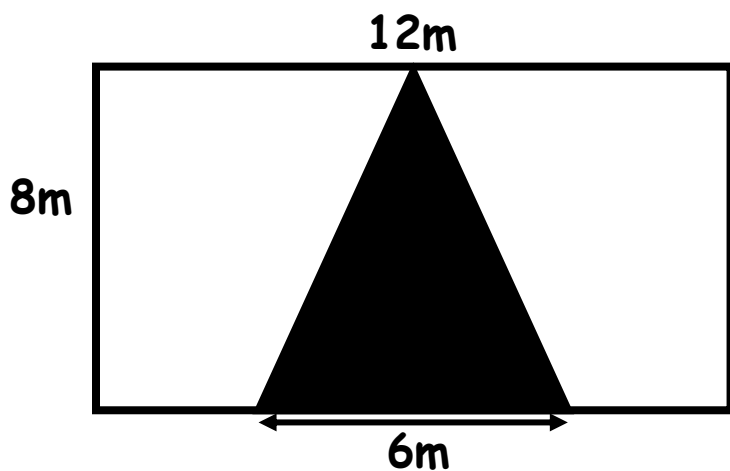
Find the area of the white space.

1.



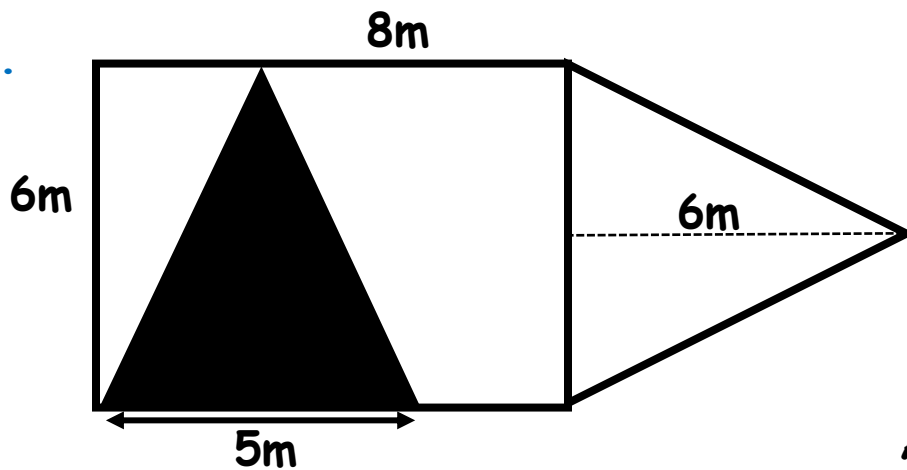
Area = _____

2.



Area = _____

2.



Area = _____

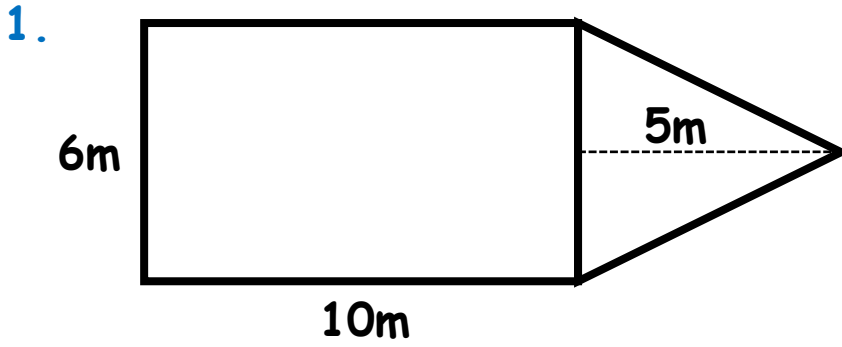


Name: _____

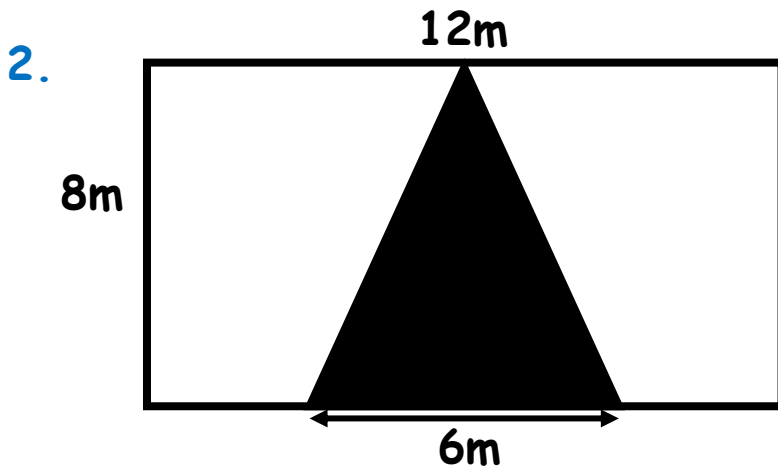
Area

Grade 6 Area Worksheet 3

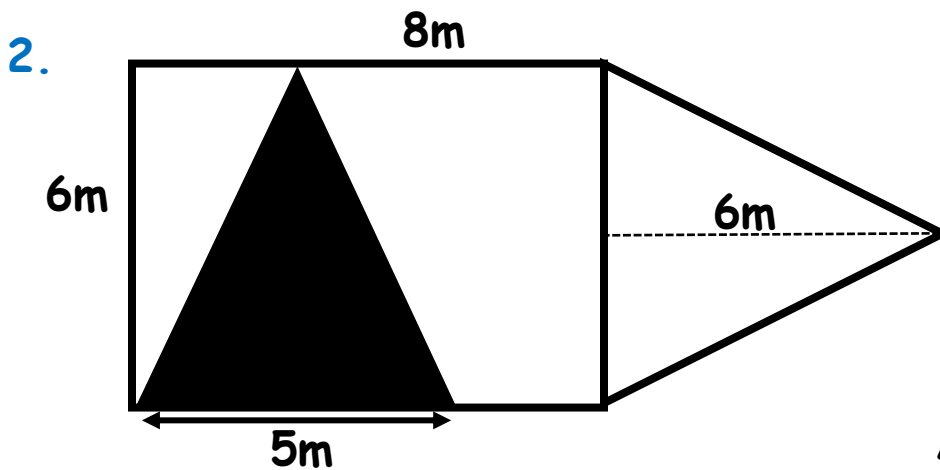
Find the area of the white space.



Area = 75m^2



Area = 72m^2



Area = 51m^2